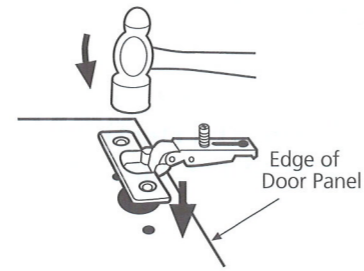


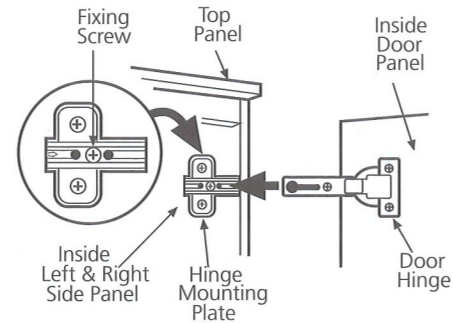
Step 12

Attach hinges to inside of door panel - Position body of hinge in large 26mm hole and screw in place using hinge screws provided. Repeat for other three hinges.



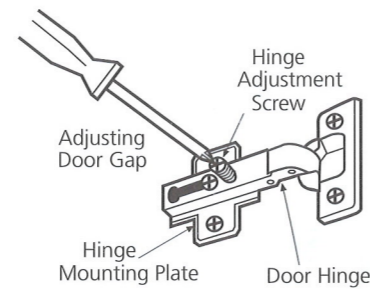
Step 13

Attach the door to cupboard (hinges on inside in open position) by fitting hinges over hinge plates and sliding doors along. Tighten retaining screws.



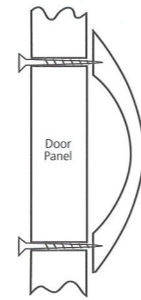
Step 14

Adjust door gap with hinge adjustment screw.



Step 15

Fix handle onto door using screws provided.



Assembly completed, well done! If you have need to contact us regarding this product please call 1800 822 823 quote the batch number shown on the carton.

2 door wall unit

Assembly instructions



Quality Endorsed Company
170 9001 Lx 12511
Endorsed Australia

IMPORTANT ASSEMBLY HINTS

- Read all instructions through COMPLETELY before starting assembly.
- Always work on a clean, flat, solid, level surface (not carpet).
- All melamine edges must face front of unit.
- Tools needed: • hammer • Phillips head screw driver
- If any hardware components are missing from the pack, please phone Hafele Australia Pty Ltd on 1300 559 387 or (03) 9212 2000 and quote the article number on the bag.

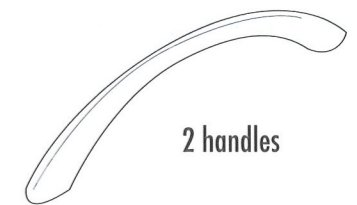
Hardware Parts List - Check that you have the right parts and quantities.



12 connectors



4 handle screws



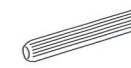
2 handles



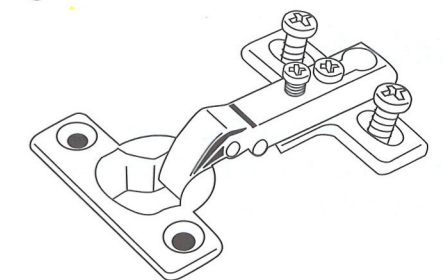
8 hinge screws



1 bag of nails



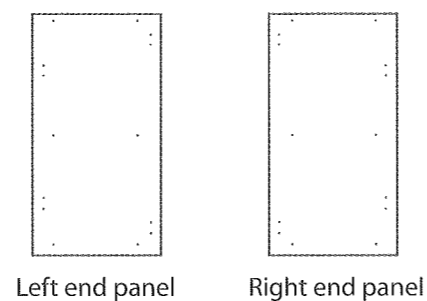
8 dowels



4 hinge units

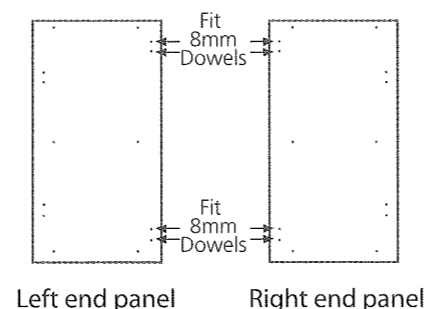
Step 1

Lay both end panels on a flat, protected surface with holes facing up. Familiarise yourself with the left and right end panel hole layouts – this will make assembly easier.



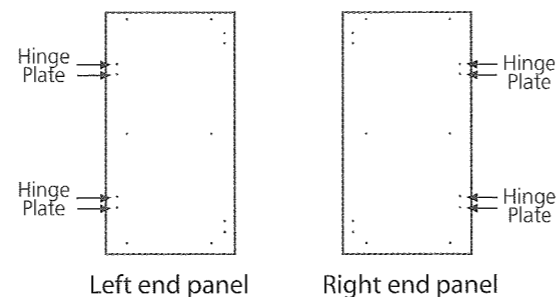
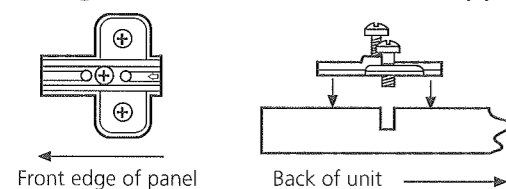
Step 2

Push dowels into 8mm & 8mm holes on the inside of the two end panels.



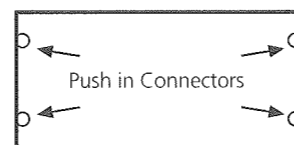
Step 3

Separate hinge mounting plates from hinges. Secure the two Hinge Mounting Plates to the inside of end panel using the two attached screws supplied.



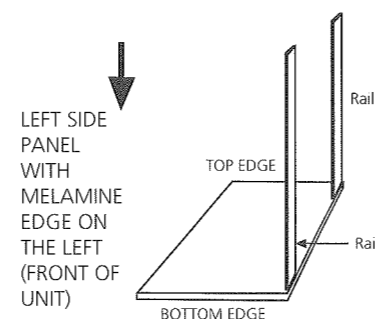
Step 4

Lay the two pre-bored panels on a flat surface with holes facing upwards. Push the connectors into the fixed shelves as shown in the diagram.



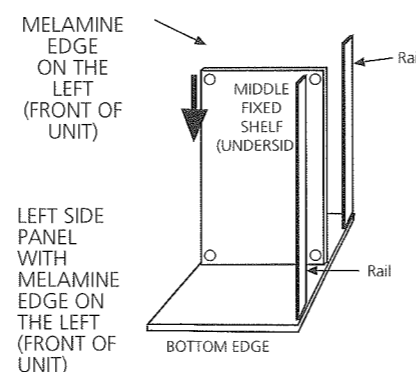
Step 5

With the left end panel lying flat and with its melamine edge on the left side, fix the two rails to the four wooden dowels.



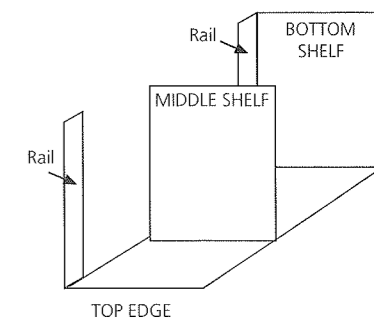
Step 6

Attach the middle fixed shelf with connectors facing down. PLEASE MAKE SURE THE FIXED SHELVES ARE PUSHED TIGHTLY AGAINST THE END PANELS BEFORE TIGHTENING THE SCREWS.



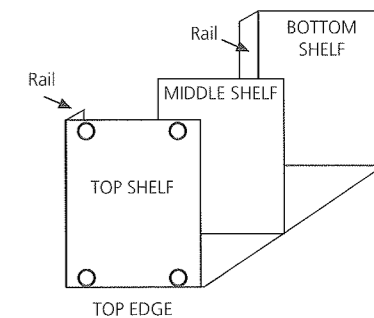
Step 7

Attach the Bottom fixed shelf with connectors facing down. PLEASE MAKE SURE THE FIXED SHELVES ARE PUSHED TIGHTLY AGAINST THE END PANELS BEFORE TIGHTENING THE SCREWS.



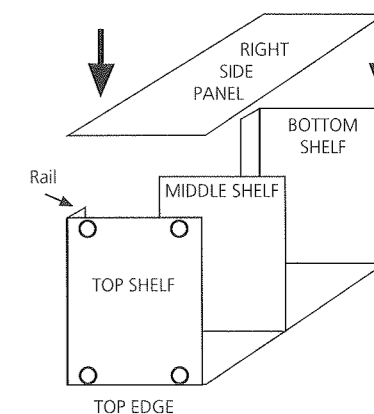
Step 8

Attach the Top fixed shelf with connectors facing up. PLEASE MAKE SURE THE FIXED SHELVES ARE PUSHED TIGHTLY AGAINST THE END PANELS BEFORE TIGHTENING THE SCREWS.



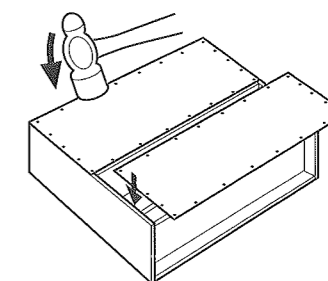
Step 9

Attach the right side panel by locating dowels and holes. Secure with connectors.



Step 10

Attaching back panels - lay unit face down on a protected surface to avoid damaging the front melamine edges (raw edges facing upwards). Position the back panel against the top rear of the unit (approximately 3mm in from the edge) with white side facing inward. Ensure cupboard is square, nail into position along all edges, taking care to avoid nails breaking through the surface of the shelf.



Step 11

Lay the door panels on a solid flat, protected surface with holes facing upwards. These panels are identified by large 26 diameter holes.

