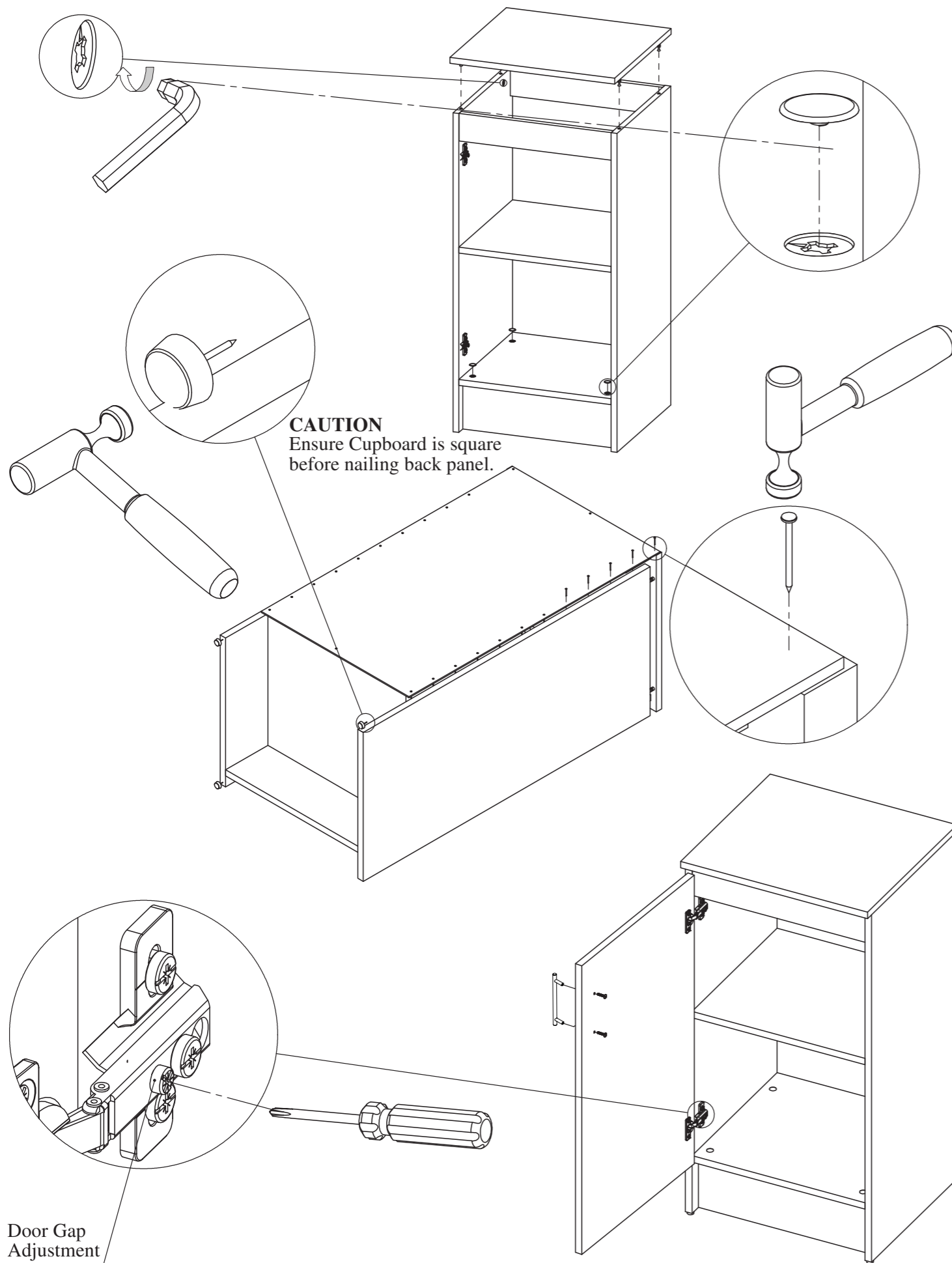


HMR 1 Door Base [Slimline]

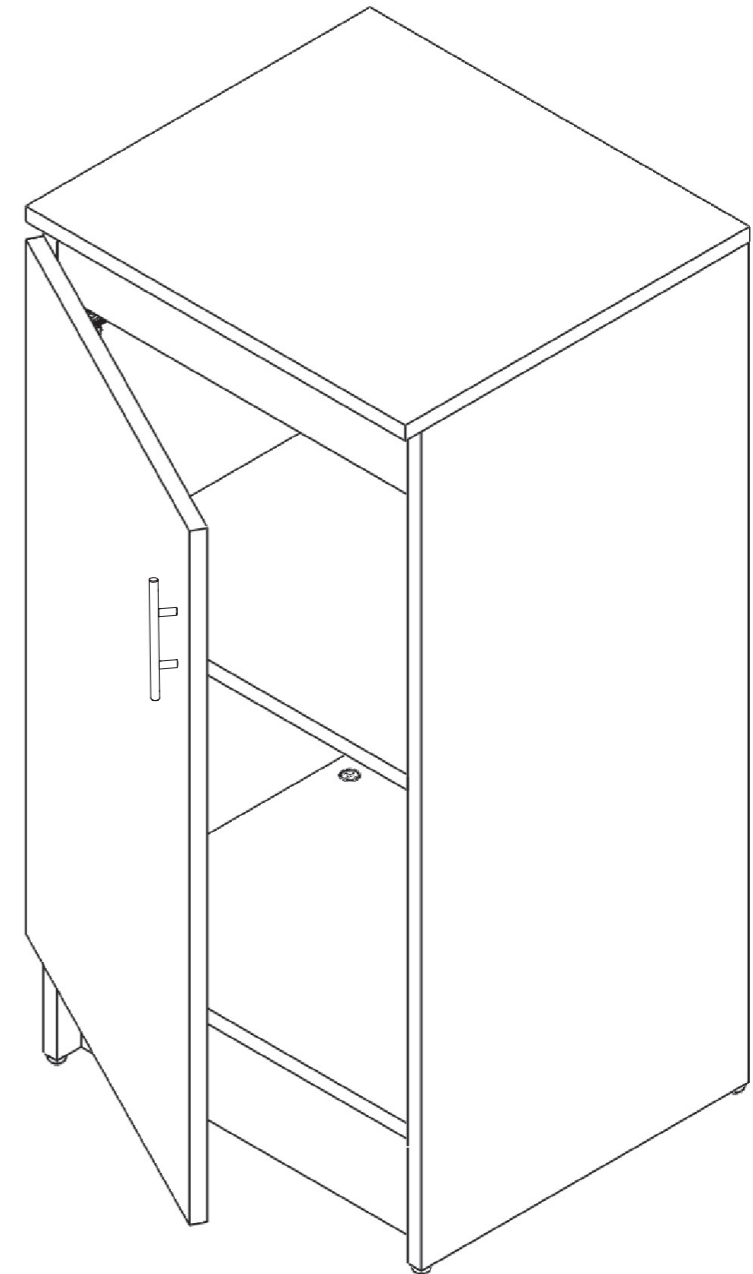


IMPORTANT

Before commencing Assembly:

- Read all instructions COMPLETELY. Detailed instructions are available by visiting http://www.bedfordgroup.com.au/business_services/bedford_furniture/product_information
- Hardware kit contains small parts; keep out of reach of children.
- Ensure all listed parts are present.
- Required tools to assemble: Philips head screw driver, Hammer & Wood Glue.
- Required assembly work surface should be solid, level, clean and flat.
- Ensure all melamine edges are facing to the front of the unit.

Customer Services Enquiries 1800 822 823



Door Gap Adjustment Screw

Bedford Furniture is part of the Bedford Group. Bedford is a South Australian not-for-profit organisation dedicated to enhancing the lives of people with a disability or disadvantage through employment, training, residential services and life-skills.



Practical, Adaptable, Affordable.

READY TO ASSEMBLE HOME STORAGE SOLUTIONS

