

## WS-1200mm 2 Door Robe

### IMPORTANT

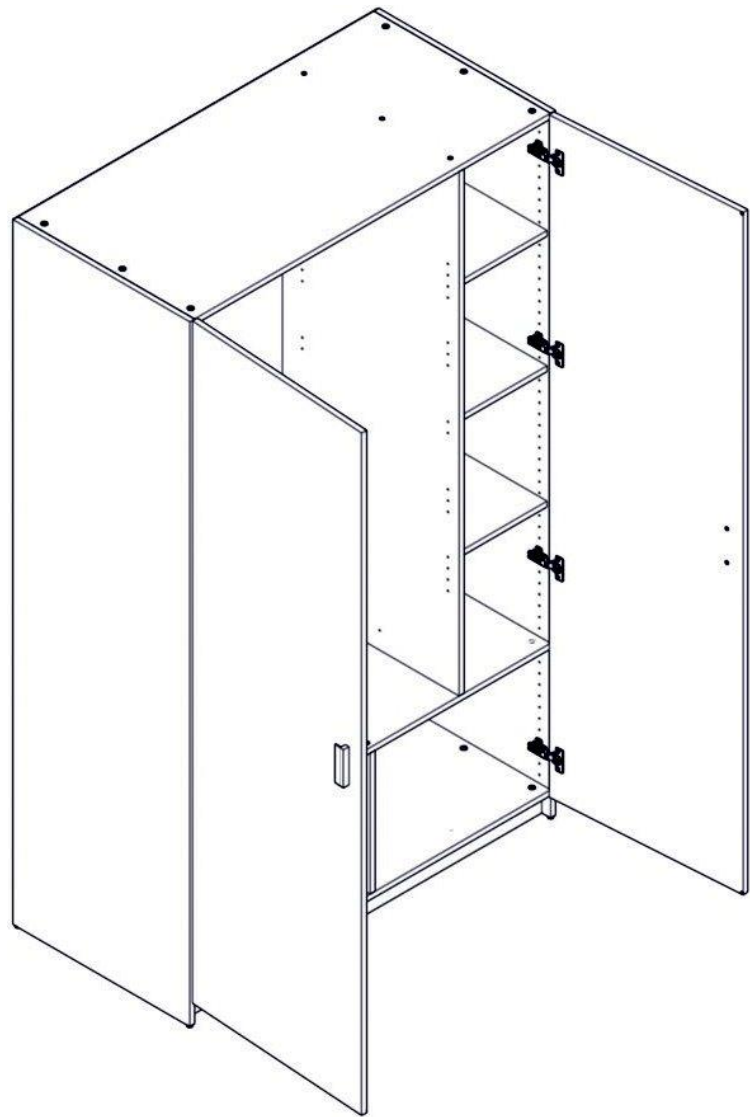
Before commencing assembly:

- Follow all instructions **COMPLETELY**
- Hardware kit contains small parts; keep out of reach of children.
- Ensure all listed parts are present.
- Required tools to assemble:
- Phillips head screw driver, Hammer & Wood Glue (optional for extra strength).
- Required assembly work surface should be solid, level, clean and flat.
- Ensure all melamine edges are facing to the front of the unit.
- Two person assembly required.
- **Do not stand the unit upright until the back panel has been nailed on, otherwise, the unit may collapse.**

Detailed instructions are available by visiting:

<http://www.bedfordfurniture.com.au/>

Customer Services Enquiries 1800 822 823



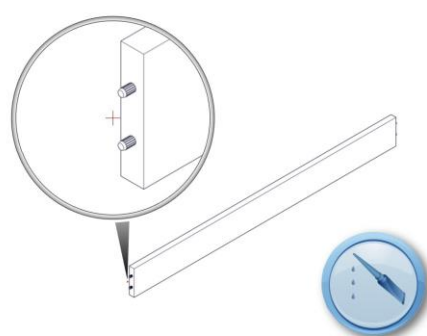
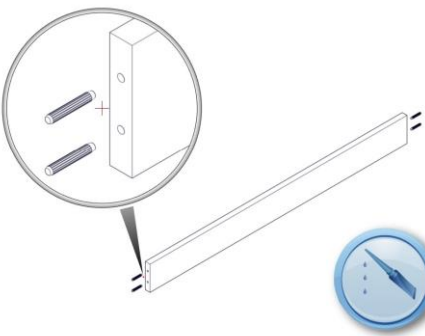
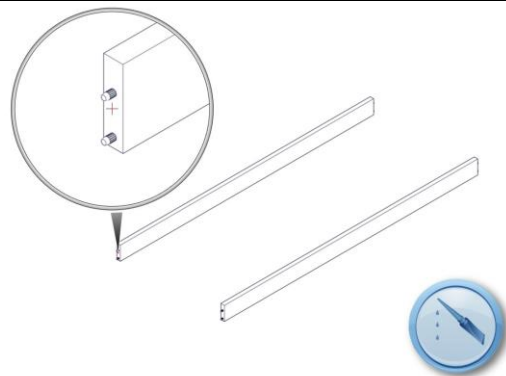
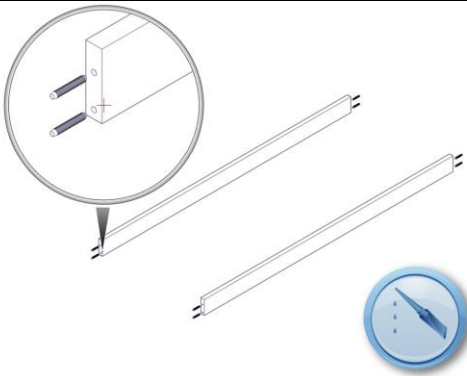
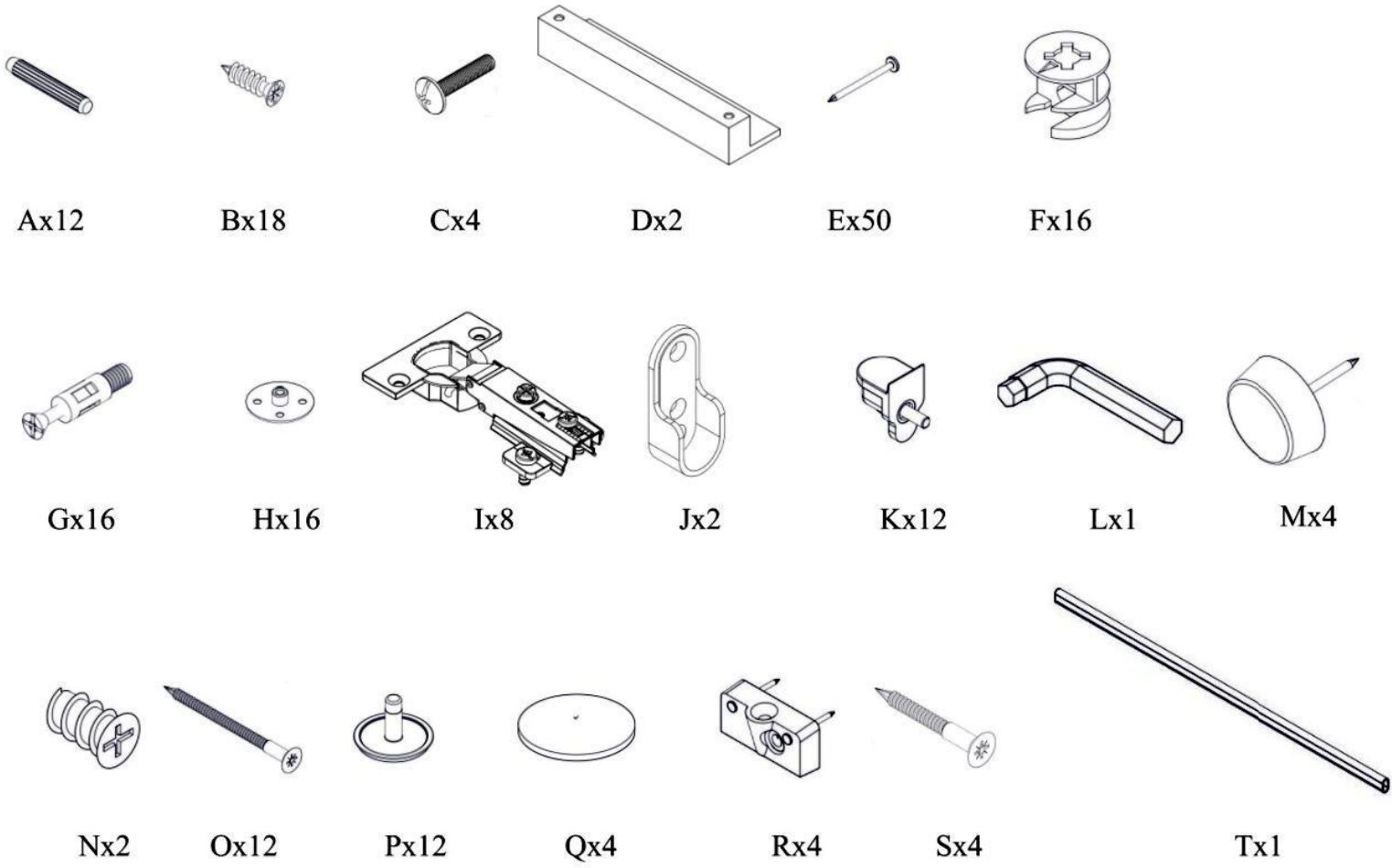
Quality  
ISO 9001  
SAI GLOBAL

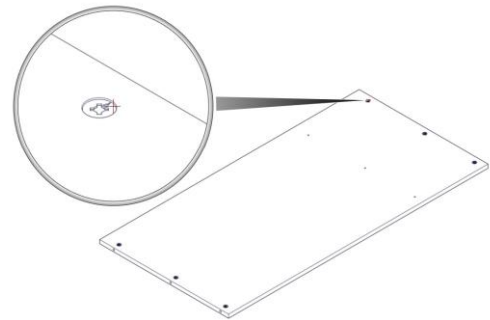
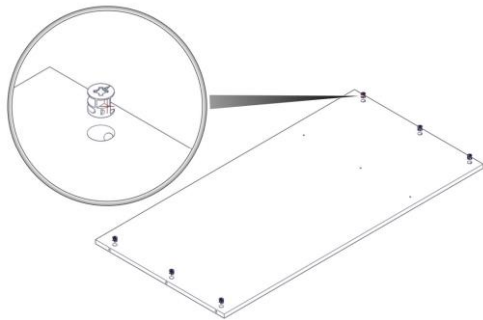
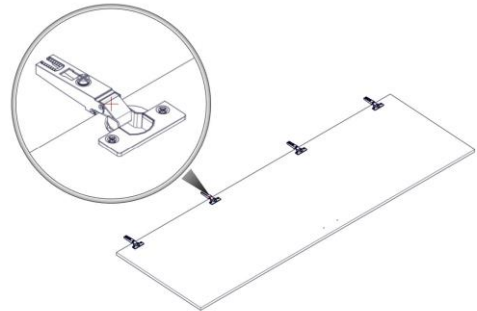
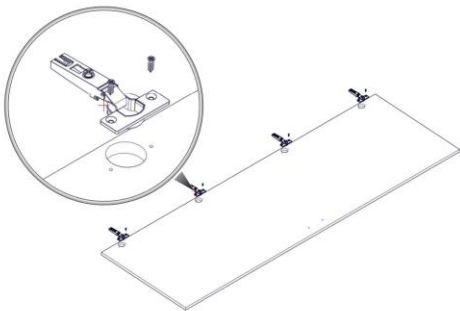
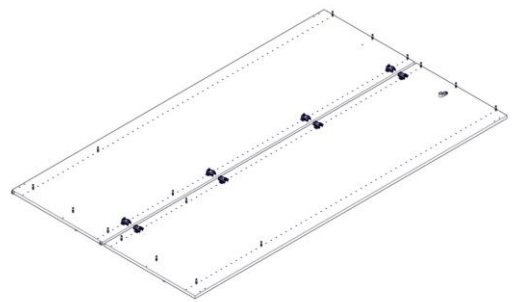
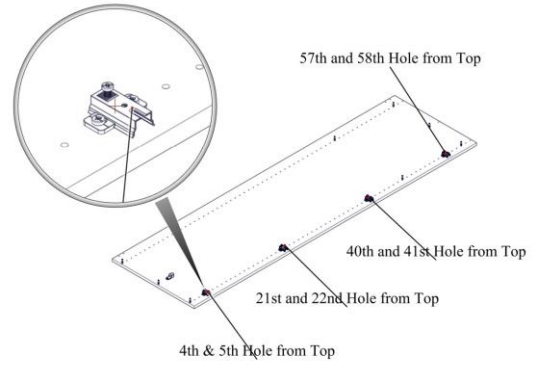
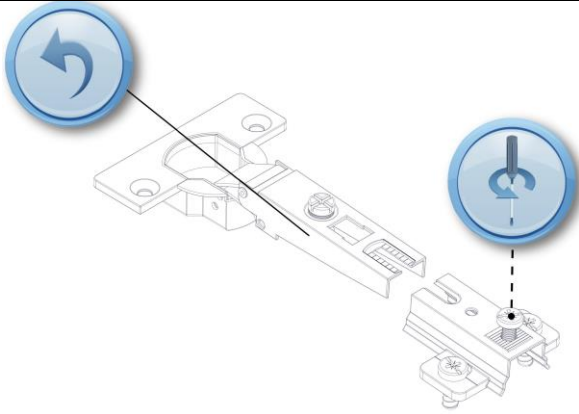
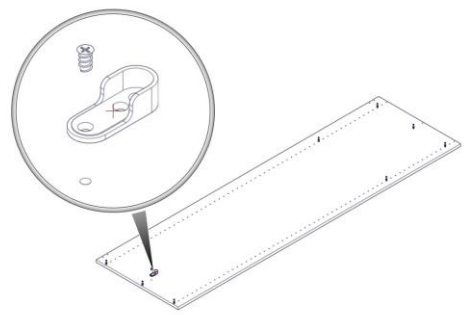
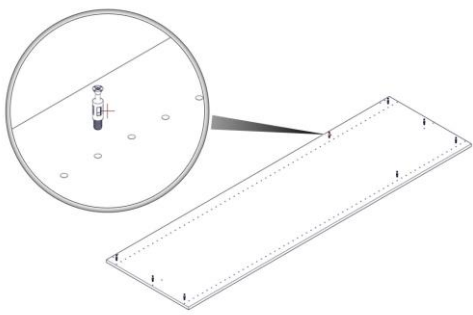


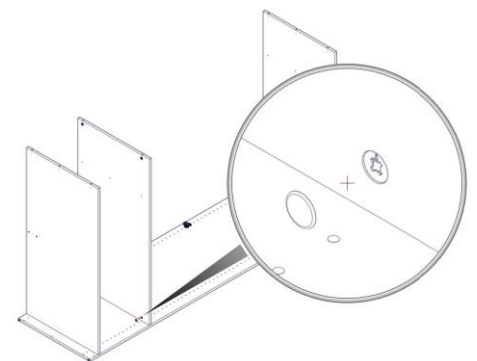
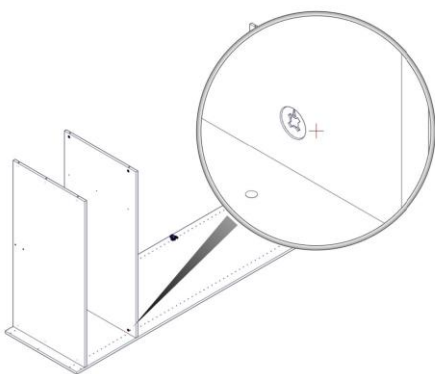
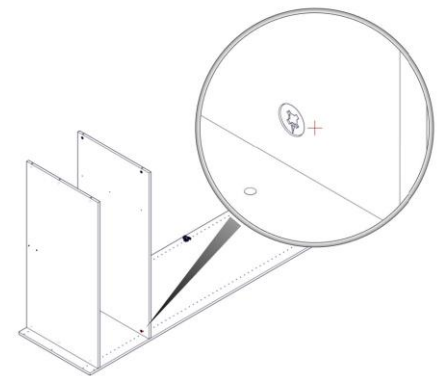
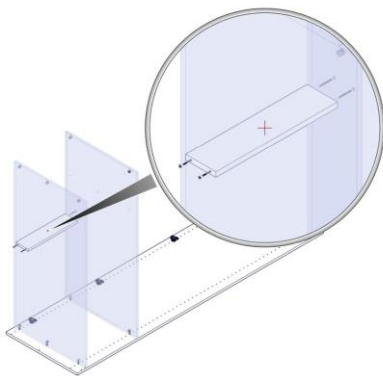
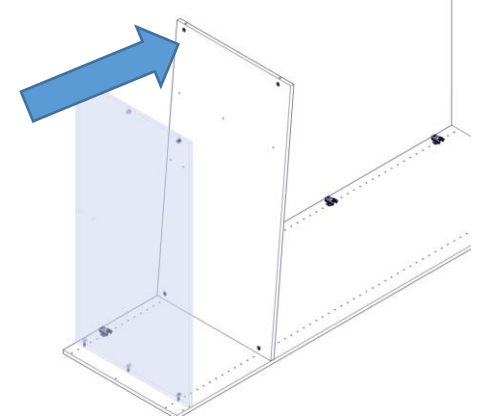
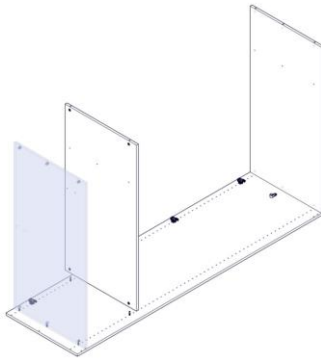
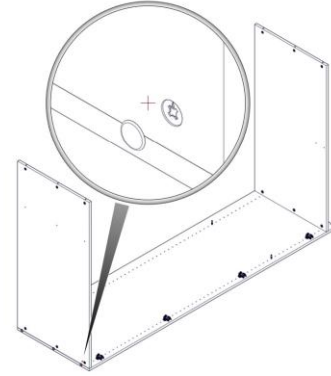
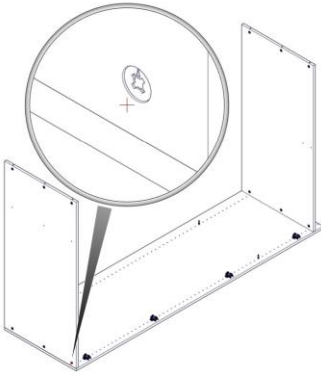
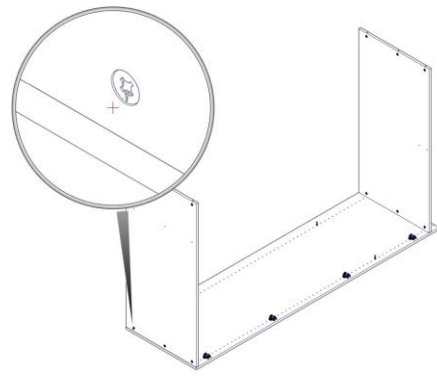
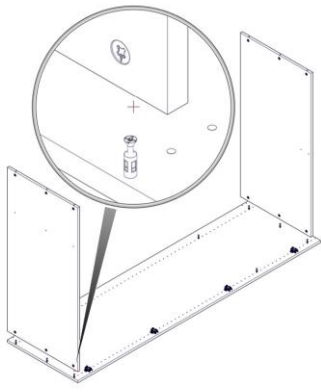
AUSTRALIAN MADE

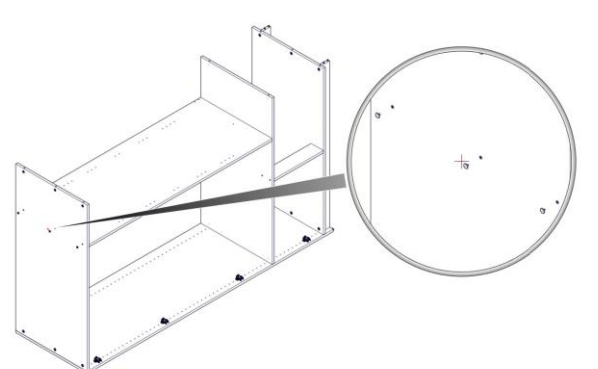
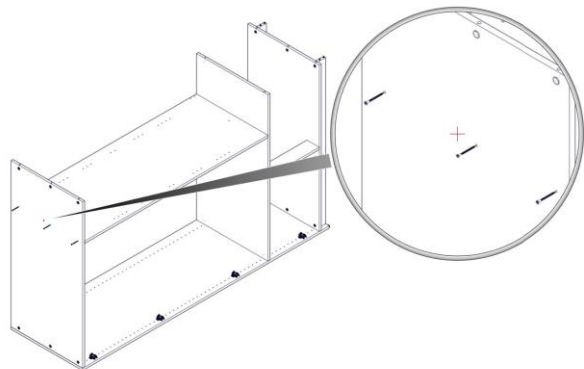
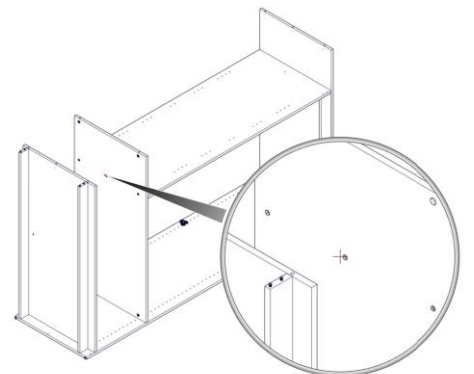
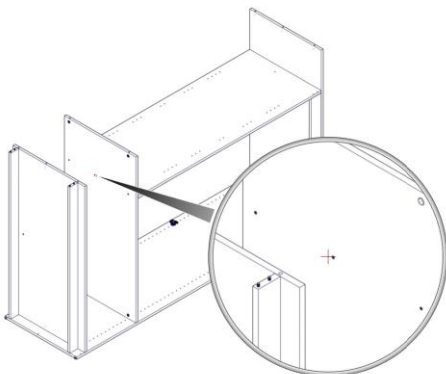
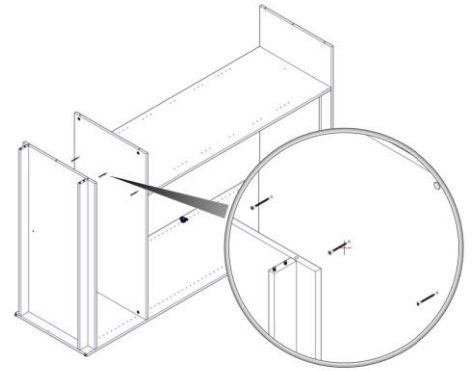
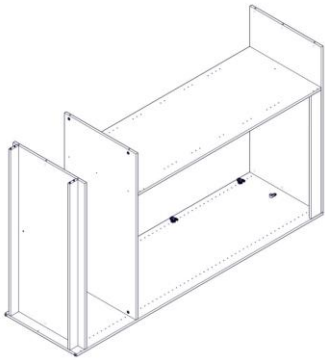
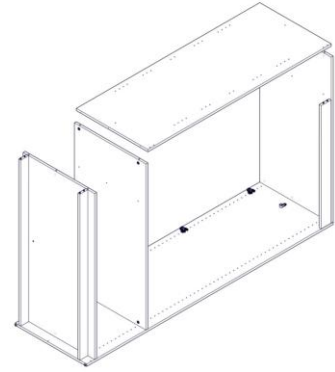
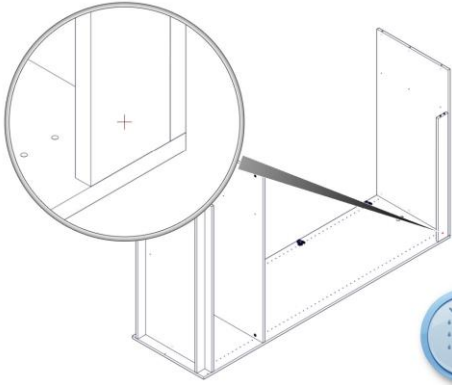
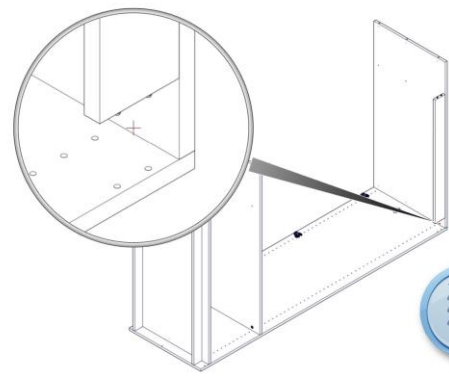
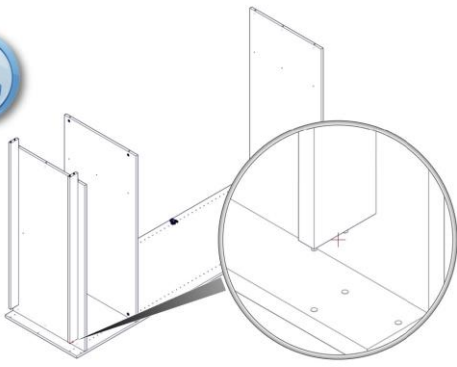
## Practical, Adaptable, Affordable

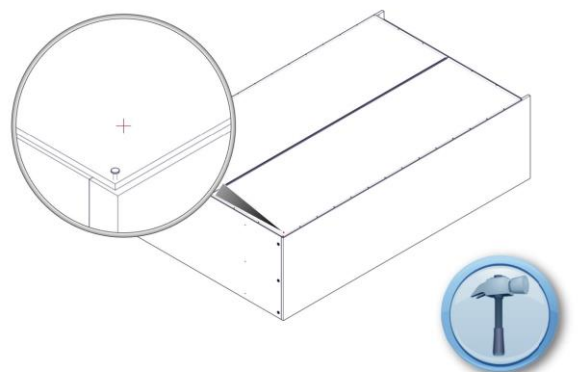
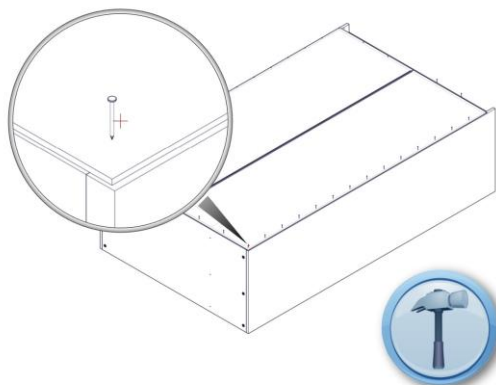
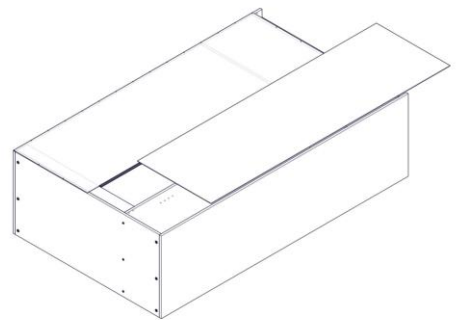
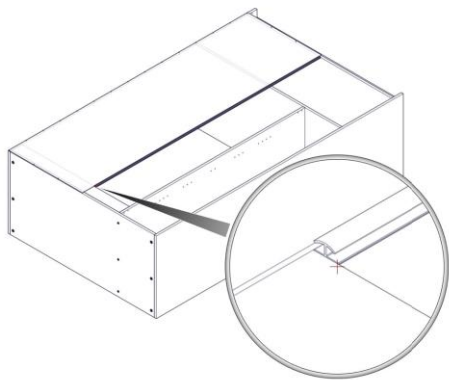
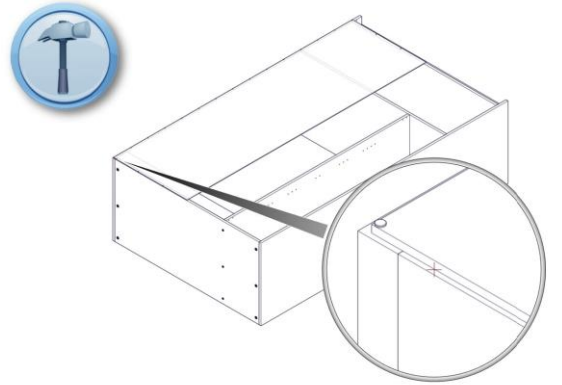
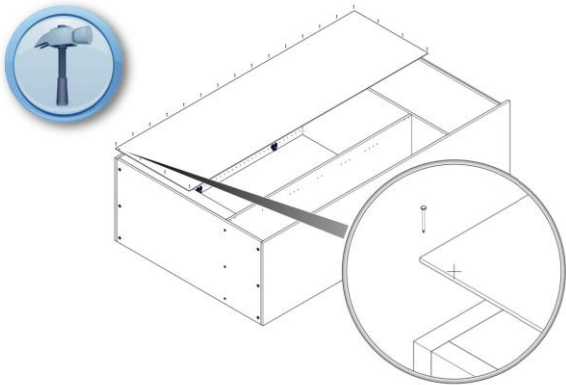
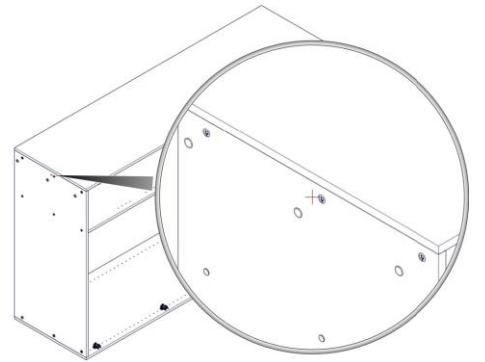
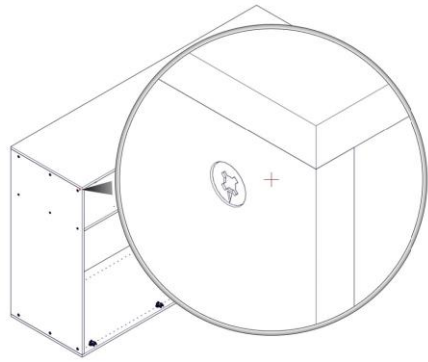
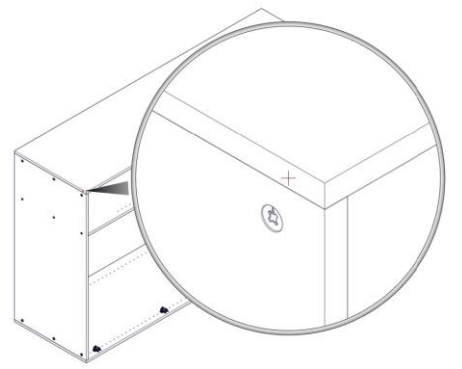
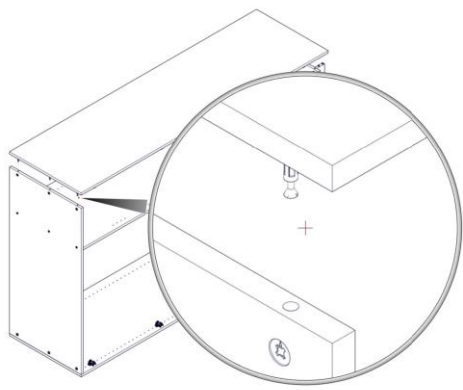
READY TO ASSEMBLE HOME STORAGE SOLUTIONS

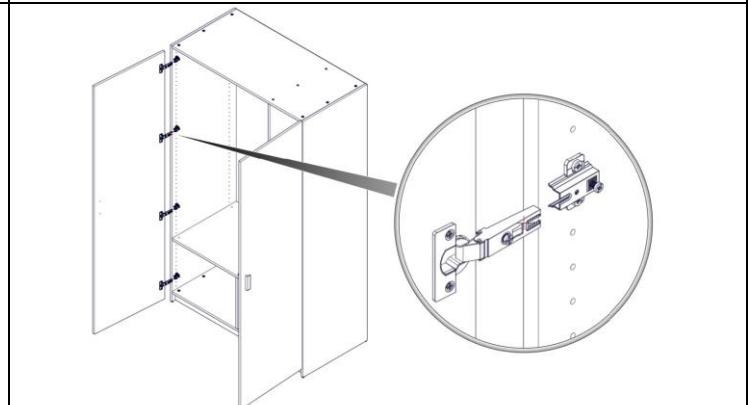
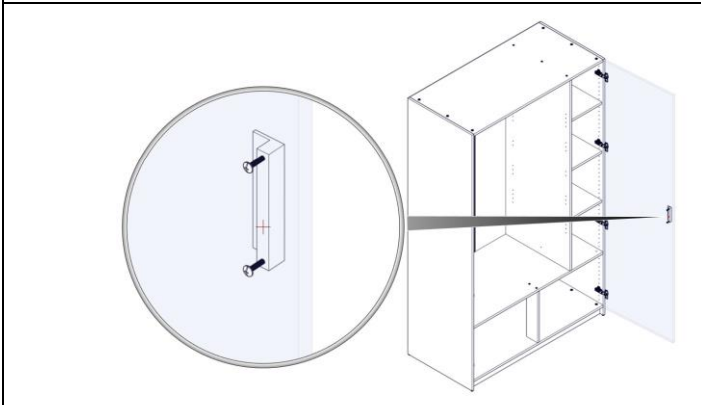
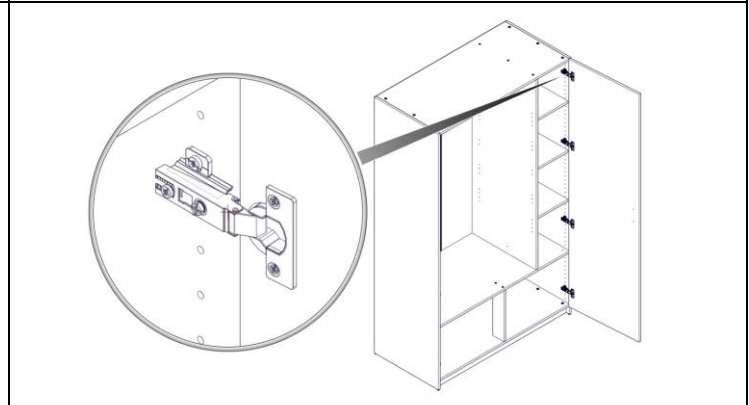
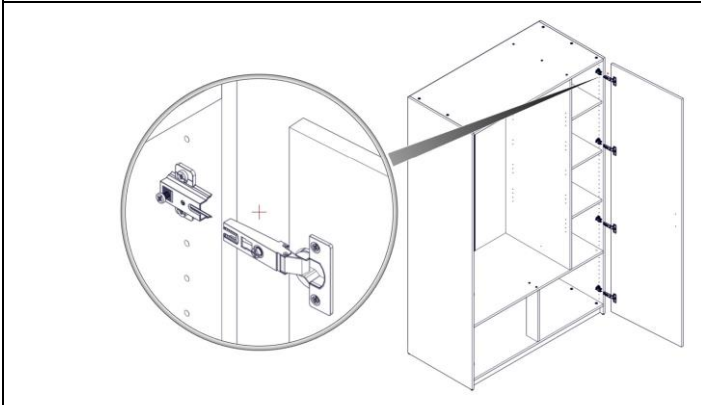
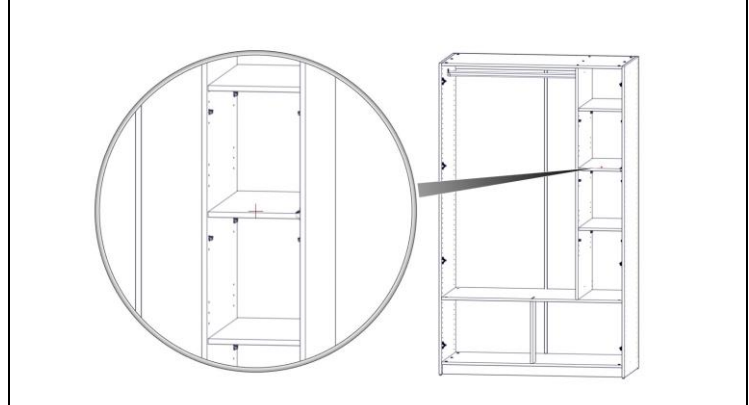
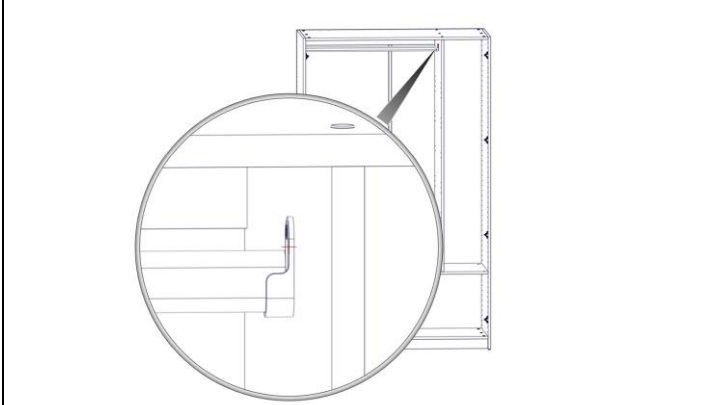
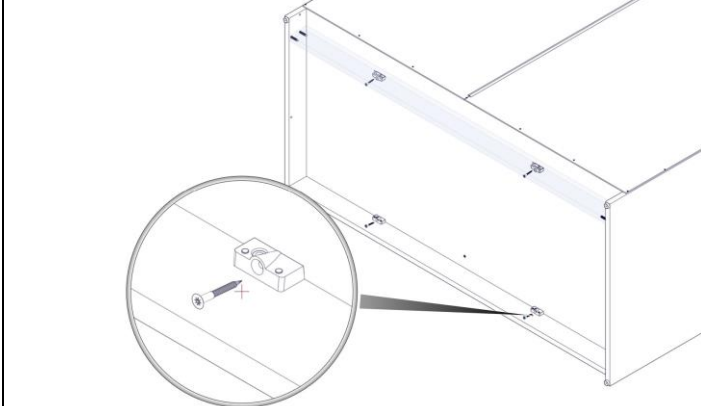
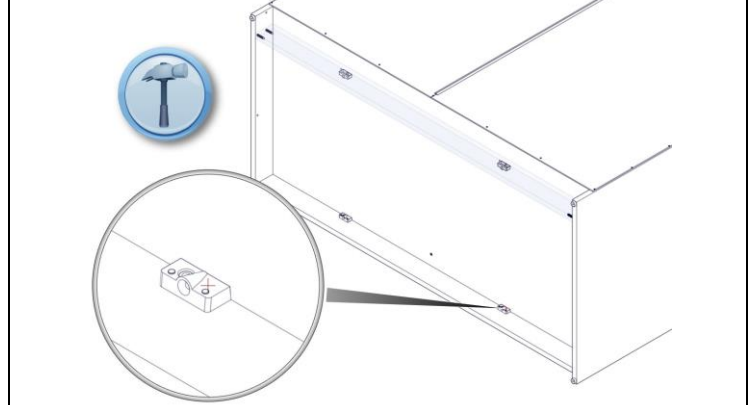
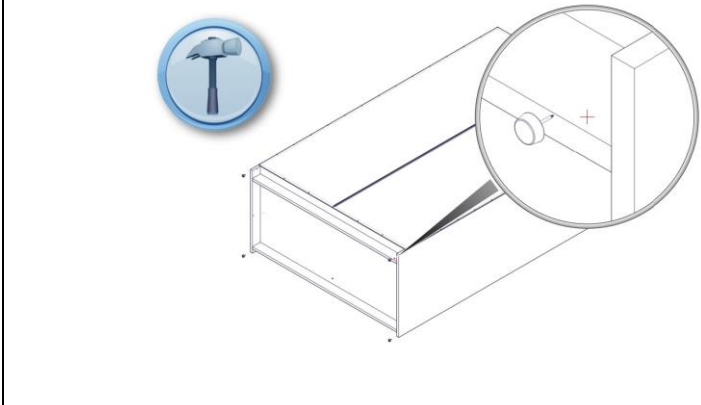


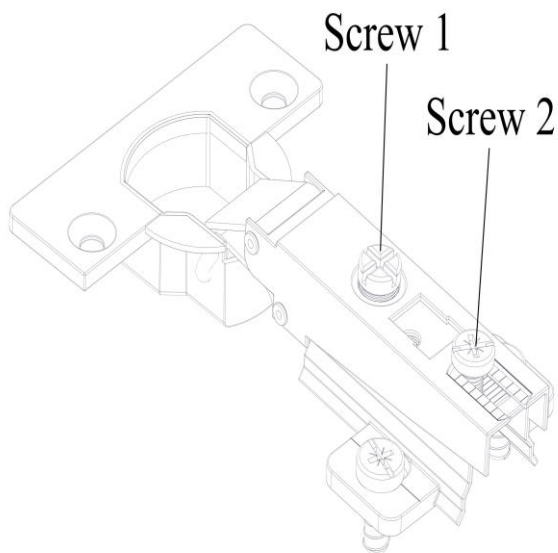
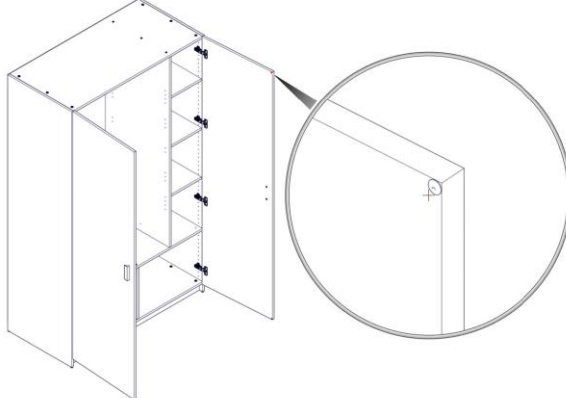
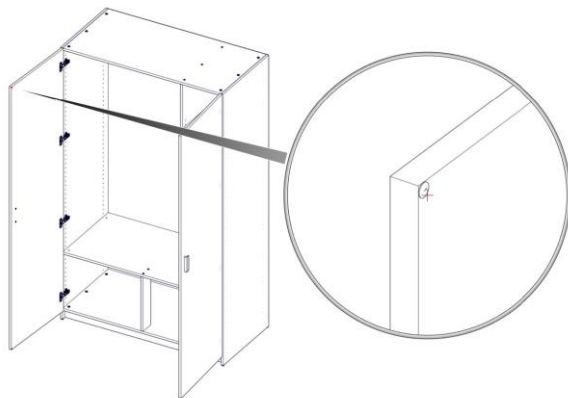
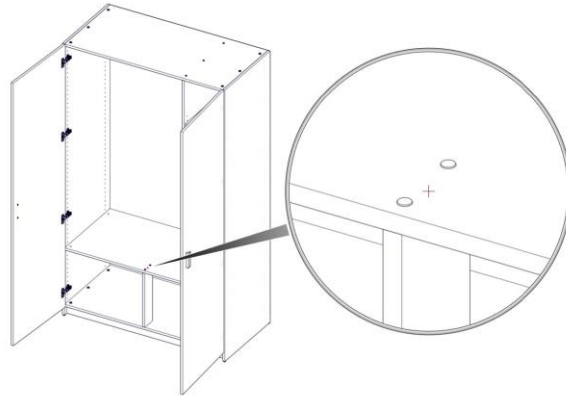
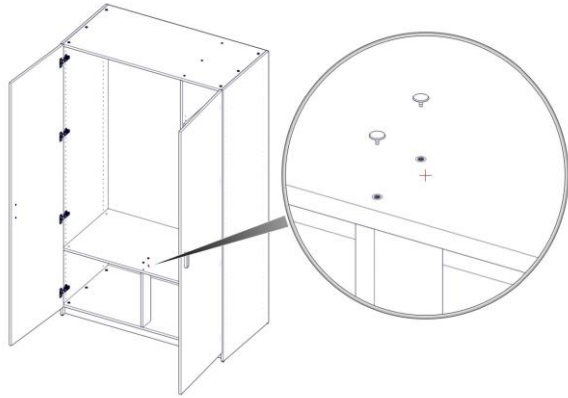
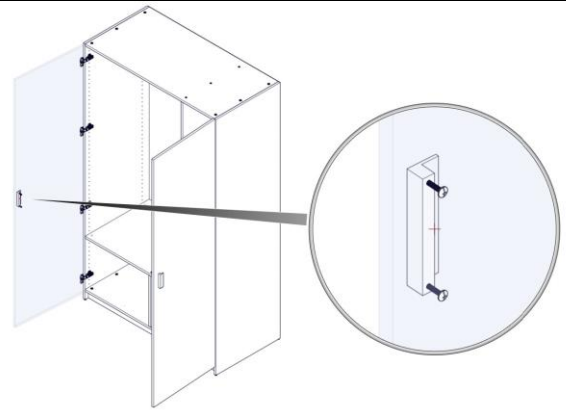
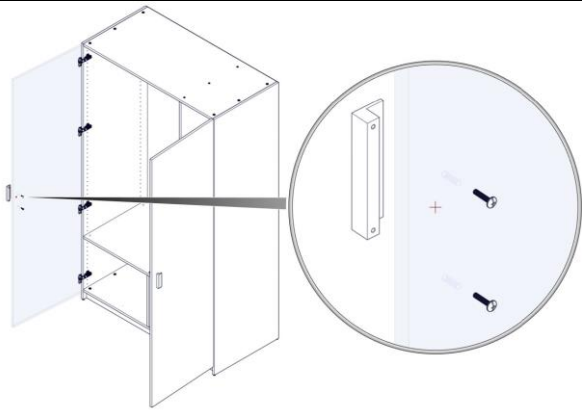












- **Screw 1** is used for adjustment
  - **Screw 2** is used to secure hinge to hinge plate
- The following instructions explain hinge adjustment if gap between the doors is too wide:
1. Start from the top hinge
  2. Loosen **screw 2** by turning screw in an anti-clockwise direction.
  3. Now, turn screw 1 in a clockwise direction (the amount to turn this screw is determined by the width of the gap between the doors).
  4. Tighten **screw 2** by turning in a clockwise direction
  5. Repeat this step for all the hinges.
  6. Check gap between doors (should be approximate 2mm), if not repeat steps 1 to 5.

**It is strongly recommended to secure the unit to the wall, otherwise, it may tip forward when opened empty.**