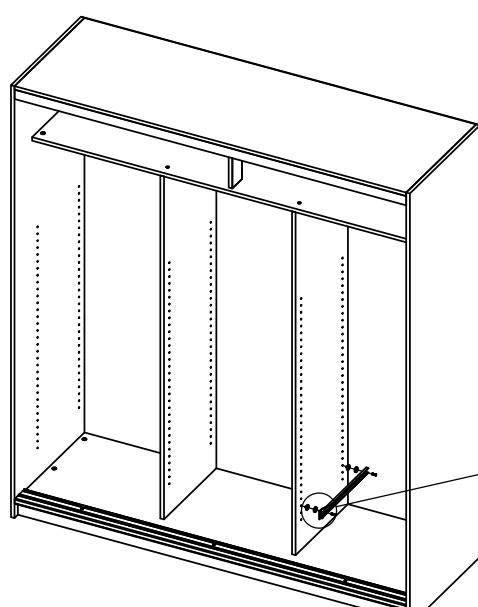
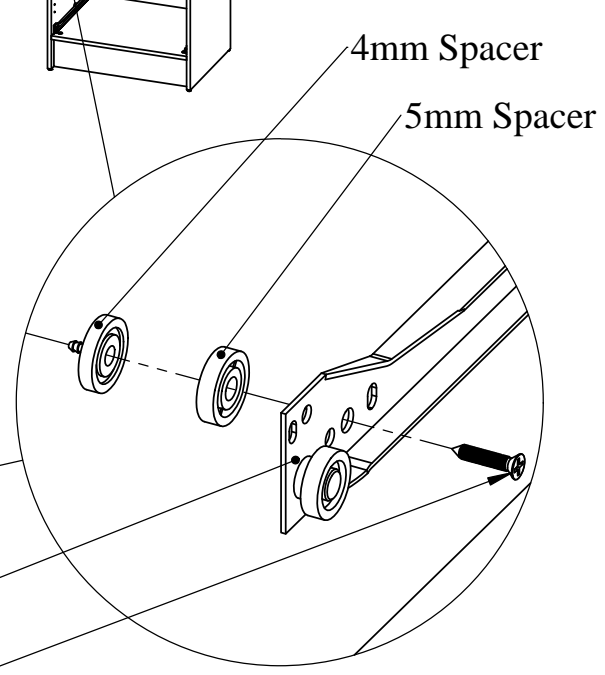


For the 1 Door Robe, spacers should be attached to the same side as the door hinges.



For others, spacers should be attached to the division. Clip onto the 4mm spacer and insert into 5mm hole at the desired position using 20mm screws.



Drawer Runner

20mm Screw